

INSTRUCTION MANUAL

LOCATION OF CONTROL

1. START/STOP/MEMORY BUTTON
2. MIN BUTTON
3. SEC BUTTON



SPECIFICATIONS

- Timer function: Minute and Second display.
- Count up function: Minute and Second display.
- Battery useful life: approximate one year

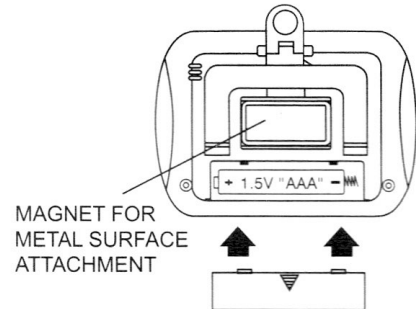
INSERT THE BATTERY

- Open the battery cover at the back of the timer.
- Insert one AAA battery in proper polarity (+) and (-) as indicated.
- Close the battery cover.

NOTE: Do not use old batteries or different types of batteries together.

USING THE STAND

- To place your Timer on a flat surface, pull down the built in stand away from the back of the Timer.



COUNTDOWN TIMER SETTING

- Press MIN/SEC button to set desired time. For fast setting, press and hold the button for 2 sec.
- Press the START/STOP/MEMORY button to start countdown.
- The timer can be temporarily stopped by pressing the START/STOP/MEMORY button. You can restart it by pressing the START/STOP/MEMORY button again.
- When time expires, the alarm will beep for 1 minute. The timer will count up.
- Press MIN and SEC button together to reset digit to **00^M00^S**.
- The maximum count down time is 99 minutes and 59 sec.

MEMORY RECALL

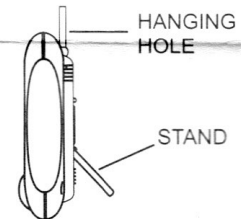
- When alarm beeps, press START/STOP/MEMORY button to stop the alarm, the last countdown time will be recalled and shown on the display.

COUNT-UP TIMER SETTING

- Press MIN and SEC button together to reset digit to **00^M00^S**, then press START/STOP/MEMORY button to start count-up.
- The timer can be temporarily stopped by pressing the START/STOP/MEMORY button. You can restart it by pressing START/STOP/MEMORY button again.

CARE OF YOUR PRODUCT

- Avoid exposing your Timer to extreme temperature, water or severe shock.
- Avoid contact with any corrosive materials such as perfume, alcohol, or cleaning agents.



• The configuration of your timer may differ somewhat from that shown in the illustration.